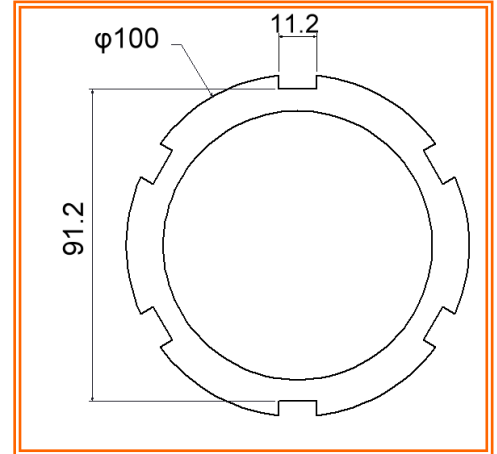
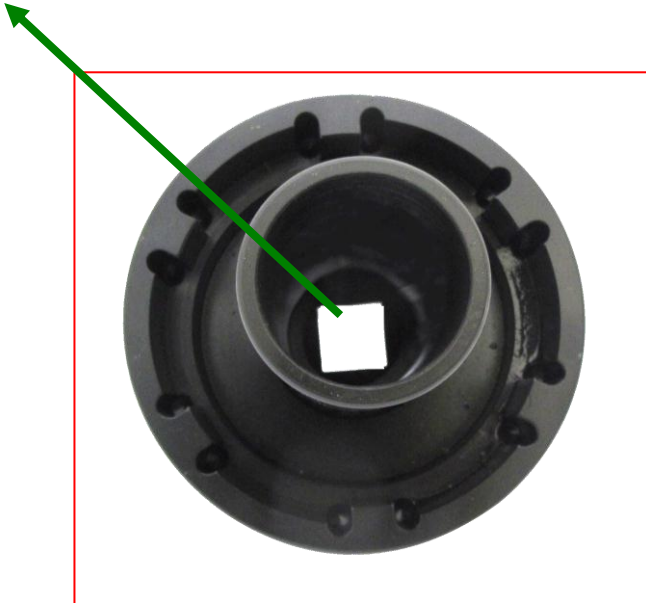


H.C.B-A1442

BENZ TRUCK (2640) LIFT AXLE NUT REMOVAL AND INSTALLATION SOCKET (Dr. 3/4", 6 TEETH)

Dr. 3/4"



NUT SIZE



- The unique design and profile of the socket make it perfectly flush in position and prevent the damage of axle nut.
- Fix bearing while removing or installing the truck nut.
- Use the torque wrench to control the nut to tighten or loosen bearing.
- Material: SCM440.
- Application: BENZ TRUCK (2640) LIFT AXLE.